



Industrial System

INTRODUCING THE ALL NEW AMEREX "IS" AUTOMATIC INDUSTRIAL DRY CHEMICAL SYSTEM

For over 30 years, Amerex has been protecting facilities and businesses of all types from fire. Our innovative fire extinguisher and automatic system designs have prevented damage and loss that would have been caused by the ravages of fire. Costs associated with lost production time, equipment replacement and 'business interruption' is a concern for any industry. In keeping with the Amerex tradition of concern for the customer, the Amerex "IS" has been designed to offer the best fire protection available and we do it with less

We've got you covered with the best Fire Extinguishing agent available

The Amerex "IS" system uses our exclusive ABC (Model 555) dry chemical. ABC dry chemical suppresses more fire, by volume, than any other agent. ABC dry chemical has quick flame "knock-down" and can help to secure Class A fires against re-ignition. Since many hazards involve a variety of fuel sources, our ABC dry chemical, with protection against Class A (wood, paper, pulp), Class B (flammable liquids) and Class C (live electrical equipment) is the agent that is best suited for most industrial hazards.



Always ready when you need it

The Amerex "IS" industrial system incorporates an automatic detection system that will operate in case of a fire anytime, 24.7, even if no one is present. As with the rest of the "IS" system design and philosophy, the automatic fire detection system uses fewer components which saves on installation and maintenance



Mechanical, Electrical, and Pneumatic Control Panels

FIRE SUPPRESSION SOUTHERN WARRANTS HARDWARE FOR 1 YEAR AGAINST MANUFACTURING DEFECTS

Fire Suppression Southern Ltd

Amerex Fire Suppression Systems



OPTIONS:

- CONTACTS FOR BUILDING FIRE ALARM SYSTEM
- CONTACTS FOR AUDIBLE DEVICE



Electric Thermal Detectors



Thermal Bulb Detectors



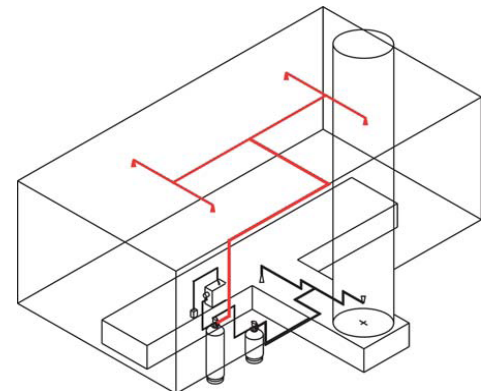
Fusible Link Detectors

Fewer Cylinders, Fewer Nozzles, Less pipe

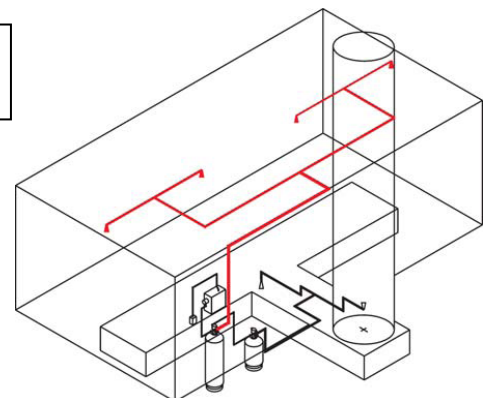
The Amerex **"IS"** industrial system uses fewer nozzles, including a unique "3-way" nozzle that eliminates the need for two separate nozzles for many situations. In some cases this may even eliminate an extra agent cylinder.

"Over-size" Paint Spray Booths – The Amerex **"IS"** has the first UL Listing allowing nozzles to be placed up to 23'-4" above the floor – now you can protect large vehicle paint spray booths that are used for trucks and heavy equipment with a fully UL Listed system that has been specifically tested using live fires for this application.

First Industrial system to be listed by UL under the newest edition of test Standard 1254 for nozzle heights up to 23'-4" above the floor – excellent for covering truck and heavy equipment spray booths.



Nozzles may be placed down the center of a standard sized booth to make filter replacement easy.

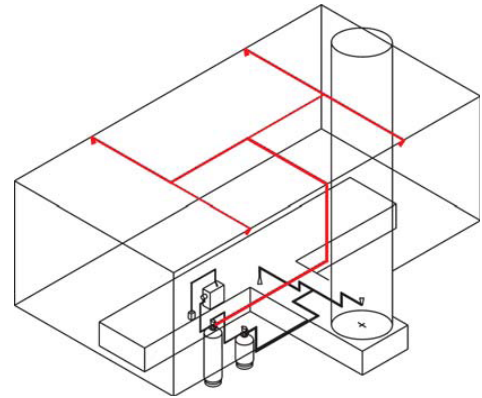


Fire Suppression Southern Ltd

Amerex Fire Suppression Systems



“Standard-sized Down Draft” Booths using the ceiling as a plenum – The Amerex “IS” system has unique UL Listings that allow for options regarding the placement of nozzles. Nozzles may be placed in the traditional “H” pattern or they may be placed “Inline” down the center of the ceiling or even at the side walls. This allows nozzles to be placed out of the way for periodic replacement of the filters saving you time, money and hassle.



General Product Specification

The Industrial fire suppression system shall be the Amerex pre-engineered, dry chemical, stored pressure type with a fixed nozzle agent distribution network. **The system shall be listed by Underwriters Laboratories, Inc. to Standard 1254 “Pre-Engineered Dry Chemical Extinguishing System Units”**. The system shall be designed, installed and maintained in accordance with: Amerex part number 15040 “Installation, Operation, and Maintenance Manual”, NFPA 17 (Extinguishing Systems), NFPA 72 (Detection and Alarm-Controlled Units), NFPA 70 (for electrical connections), local codes and ordinances, by an Authorized Amerex Industrial Fire Suppression Systems Distributor using Factory Trained personnel.

Upon completion of system installation and final testing with the local Authority Having Jurisdiction, an Owner’s Manual for the system shall be given to the owner or owner’s agent. The Authorized Amerex Industrial Systems Distributor shall give instruction on the use of the system and hand portable fire extinguishers to those employees designated by the owner or owner’s agent.

Notes

1. Works to be carried out during normal working hours
- 2.
- 3.
- 4.
- 5.
- 6.
- 7.